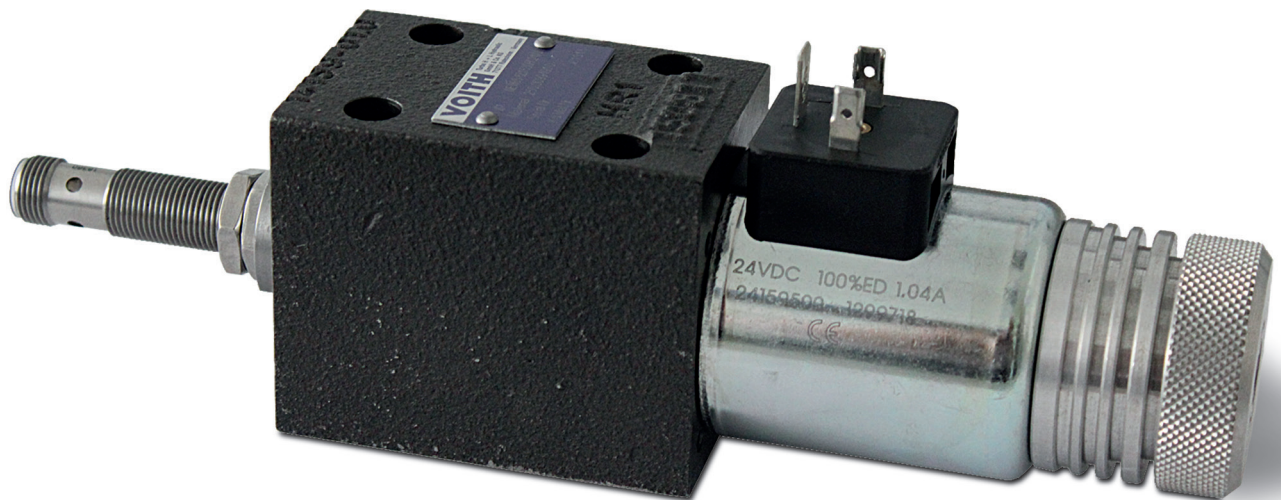


4/2 directional control valve NG 6

Technical data sheet



Advantages

- + High valve switching safety
- + Dirt resistant
- + Energy saving
- + Easy service
- + Monitored

The valve is specially designed for safety circuits with very high shut down safety. Even after a very long time energized, the valve will switch back to the fail safe position with a high reliability. The reason is the high spring force.

General technical data

MTTFd	150 years
Mounting position	any
Weight	Valve complete: 1.8 kg Only solenoid: 0.35 kg

Hydraulic characteristics

Operating fluid	Hydraulic oil according to DIN 51524 T1 and T2
Operating pressure	max. 160 bar
Max. volume flow	20 l/min
Fluid temperature	-20 to +60 °C
Ambient temperature	-20 to +60 °C
Viscosity range	10 to 300 mm ² /s
Filtering	Permissible contamination of the operating fluid ISO 4406 class 21/19/16 or cleaner

Electric characteristics, valve

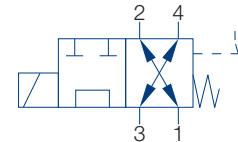
Nominal voltage at 20 °C	24 V DC
Nominal current at 20 °C	1.03 A bei 24 V DC
Electric tension tolerance	±15 % nominal tension
Duty cycle	100 % ED (continuous operation) up to max. 115 % nominal tension at 60 °C ambient temperature
Switching on time	≤ 40 ms
Switching off time	≤ 20 ms @ -25V

Electric characteristics, position sensor

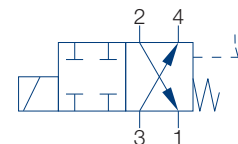
Type	NAMUR
Signal type	NAMUR
Switching function	Normally closed contact
Nominal voltage	8.2 V
Signal (not activate)	≥ 2.2 mA
Signal (activate)	≤ 1 mA
Connection	Connector plug M12x1, 4 pole
Pin configuration	Pin 1: L+; Pin 2: L-

Symbol

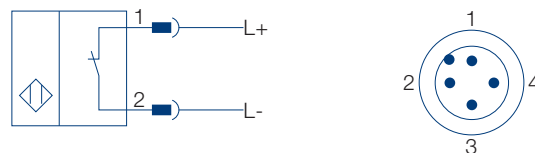
85



272



Symbol, pin configuration sensor



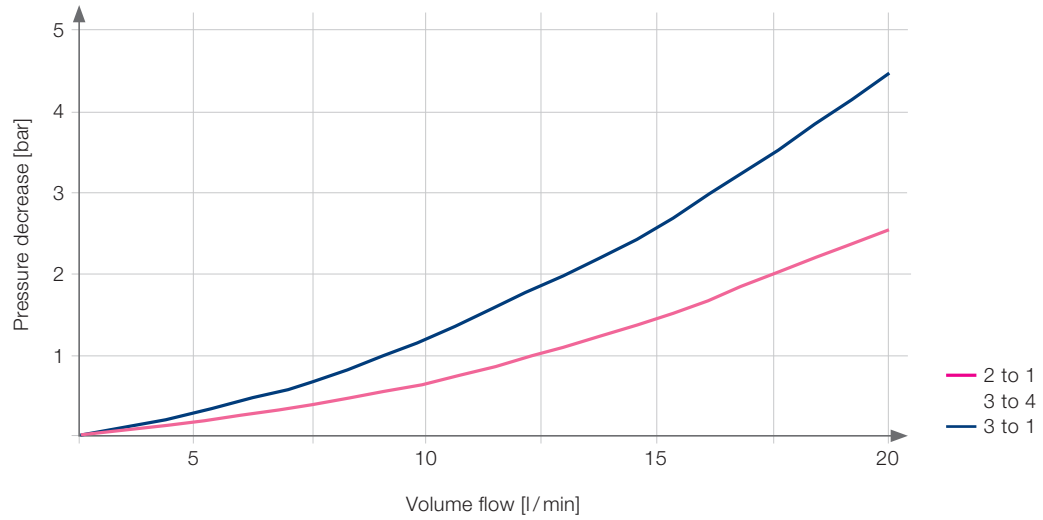
Features

- Very high valve switching safety due to high spring return forces
- Change of the sensor under system pressure
- Very resistant to dirt
- Energy saving through low flow resistance
- Easy service: solenoid can be changed without leakage while the valve is under system pressure; no tools are required
- Solenoids can be rotated 3 x 90°, allowing alternative connector positions
- 100 % ED

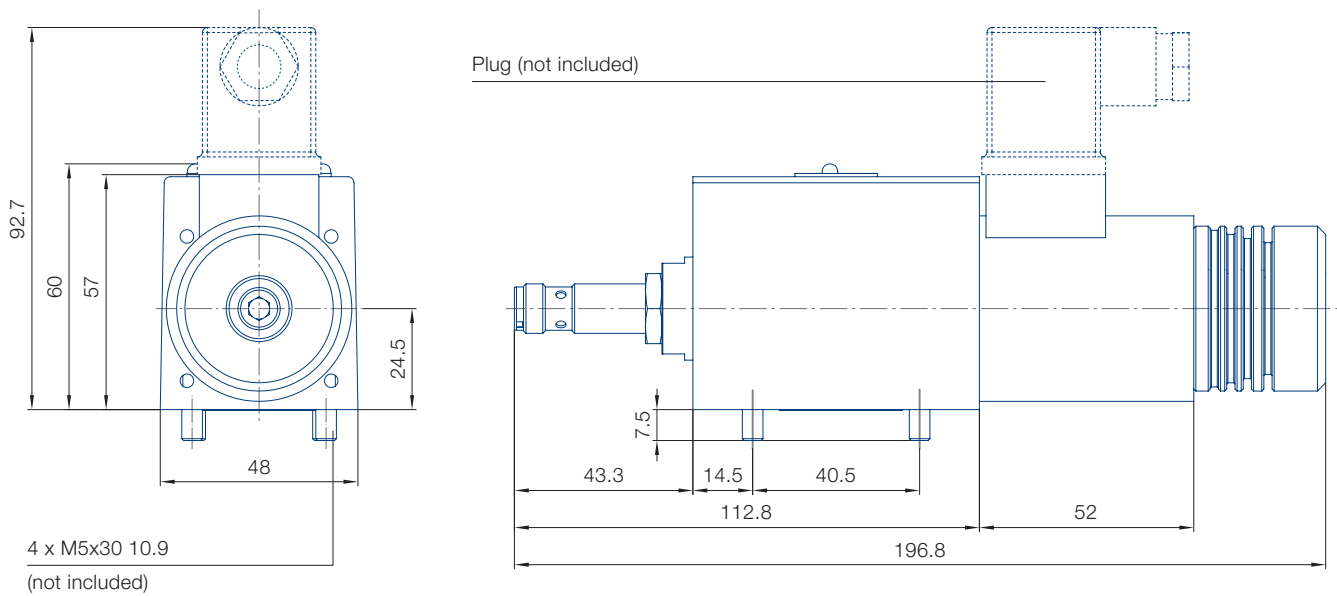
Options

- Alternative voltages
- ATEX variants possible

Diagram

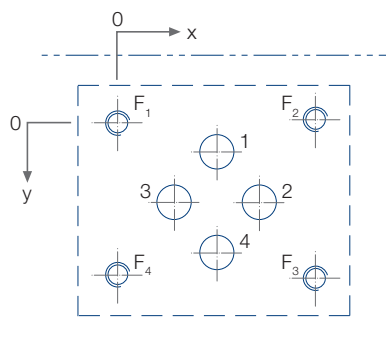


Dimensional drawing



Dimensions in mm

Port connection pattern



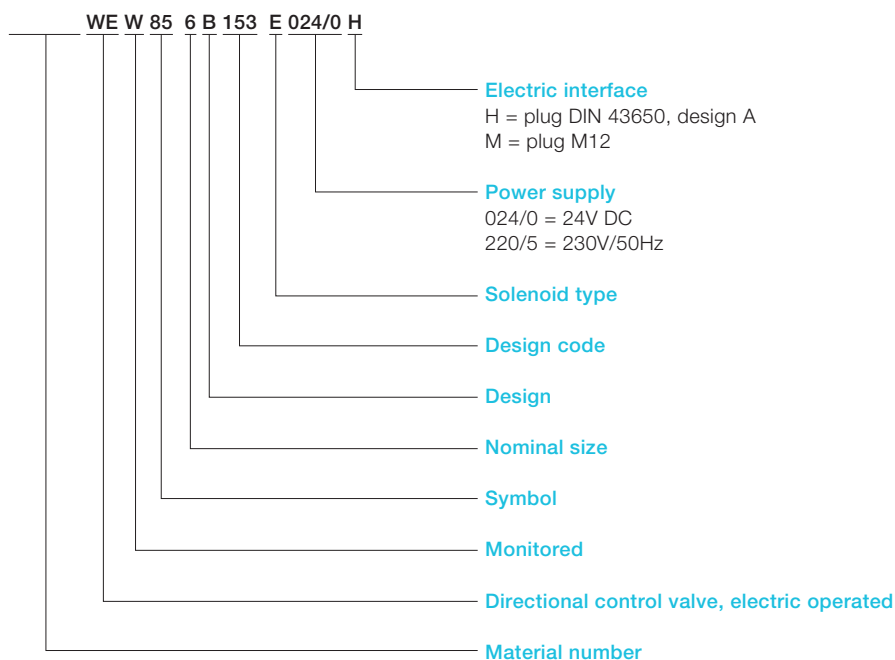
View: fastening side of mounting plate

	4	3	1	2	F ₁	F ₂	F ₃	F ₄
Ø max [mm]	7.5	7.5	7.5	7.5	-	-	-	-
x [mm]	21.5	12.7	21.5	30.2	0	40.5	40.4	0
y [mm]	25.9	15.5	5.1	15.5	0	-0.75	31.75	31

F: M5, thread depth min. 1.5 x Ø

Dimensions in mm

Type code



This is a translated document
Original language: German
Legally binding language version of the document: German

Applicable Documents: THL.14607(TED)
The information in this document has priority.

Voith Group
St. Poeltener Str. 43
89522 Heidenheim
Germany

Contact:
Phone +49 7152 992 3
sales-rut@voith.com

www.voith.com/hydraulic-systems



VOITH
Inspiring Technology
for Generations